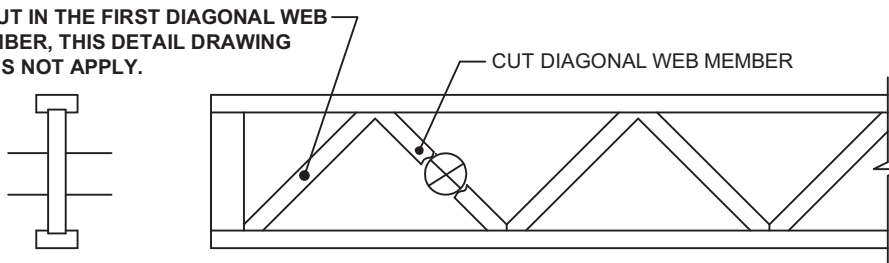


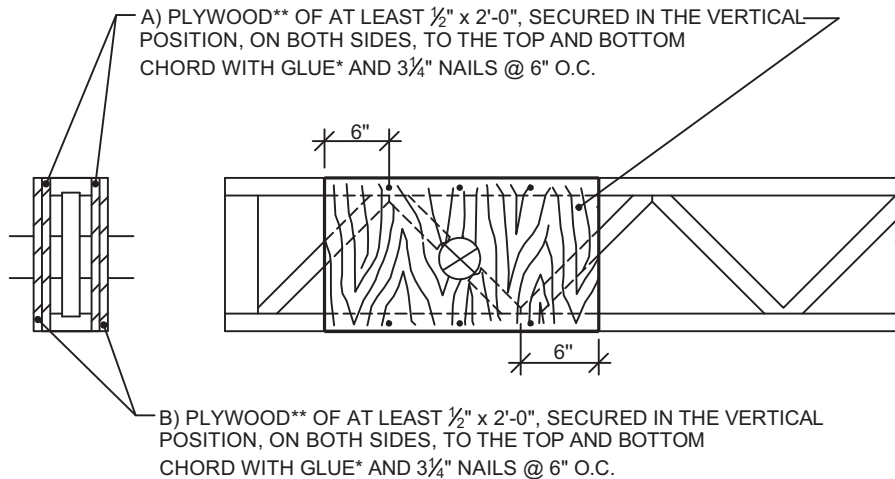
## TYPICAL REPAIR METHOD FOR A CUT DIAGONAL WEB MEMBER WITH A PIPE

### SITUATION BEFORE REPAIR

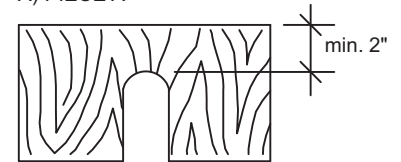
IF CUT IN THE FIRST DIAGONAL WEB MEMBER, THIS DETAIL DRAWING DOES NOT APPLY.



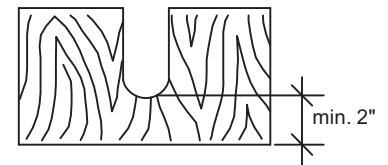
### SITUATION AFTER REPAIR



A) PIECE A



B) PIECE B



\*PL PREMIUM GLUE  
\*\* Plywood - at least 1/2" 4 ply (1 1/2") or better

**RTF-003-18**

### IMPORTANT NOTICES

This detail drawing is valid for uniform residential loads.  
For other types of loads, contact the manufacturer.  
Check out the [www.openjoisttriforce.com](http://www.openjoisttriforce.com) website for the latest updates.

