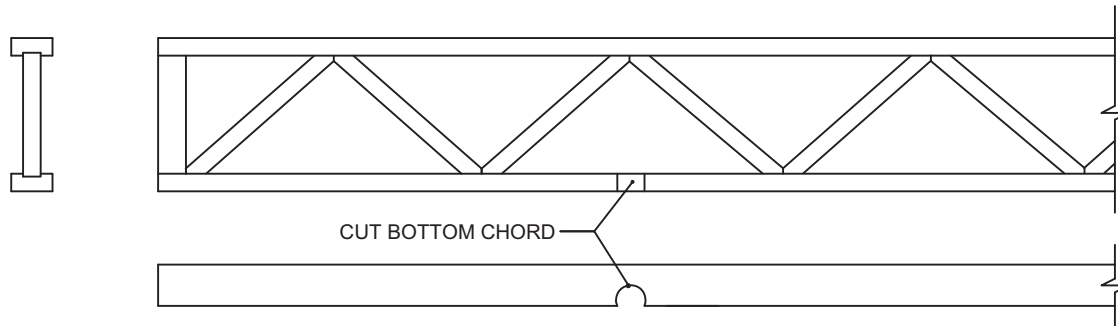
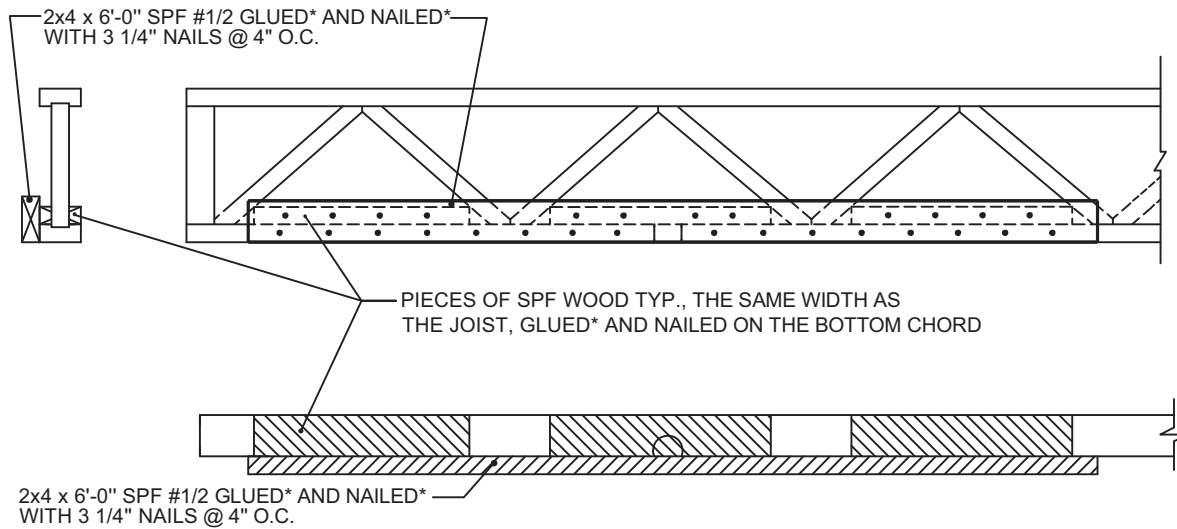


**TYPICAL REPAIR METHOD FOR A NOTCHED 2x3 OR 2x4  
BOTTOM CHORD, LESS THAN HALF THE WIDTH, NO PIPE.**  
**IF MORE THEN HALF SEE RTF-012-18**

**SITUATION BEFORE REPAIR**



**SITUATION AFTER REPAIR**



\*PL PREMIUM GLUE

**RTF-014-18**

**IMPORTANT NOTICES**

This detail drawing is valid for uniform residential loads.  
For other types of loads, contact the manufacturer.  
Check out the [www.openjoisttriforce.com](http://www.openjoisttriforce.com) website for the latest updates.

